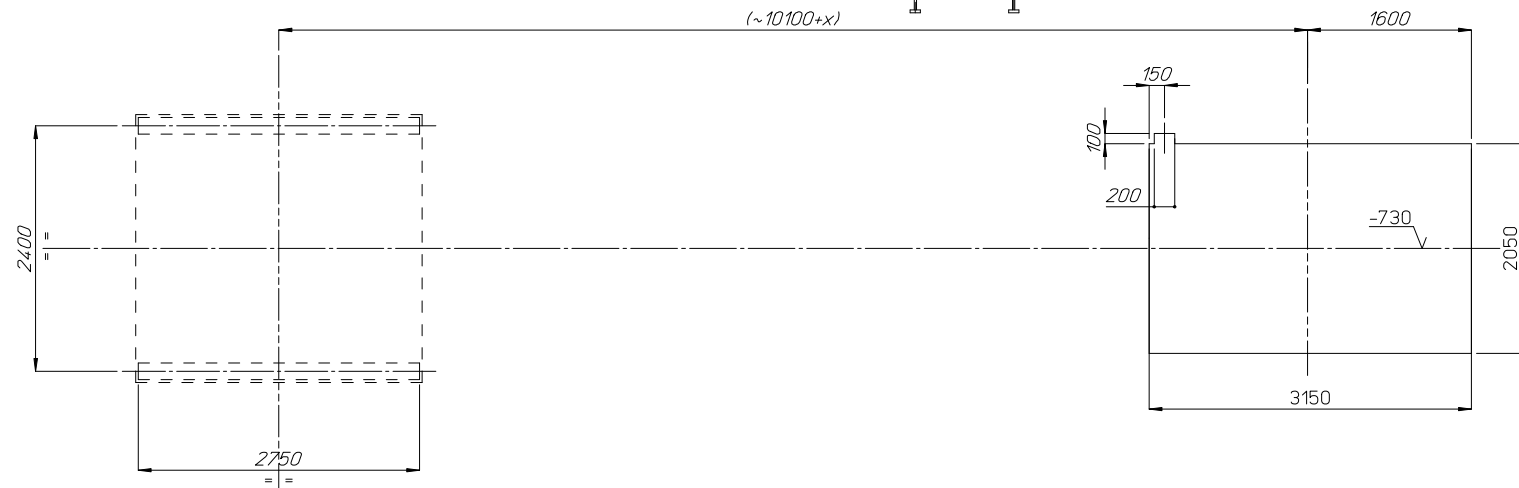
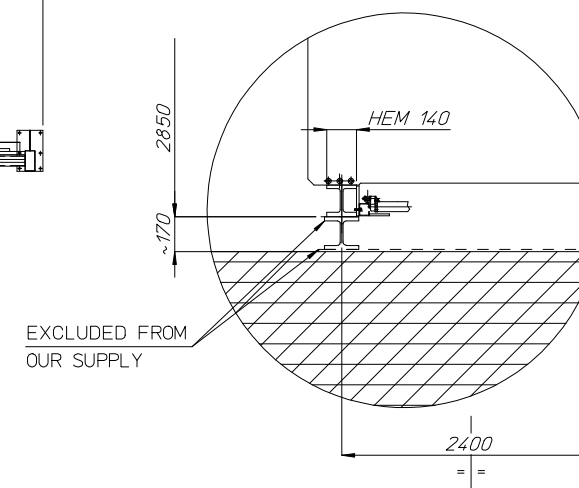
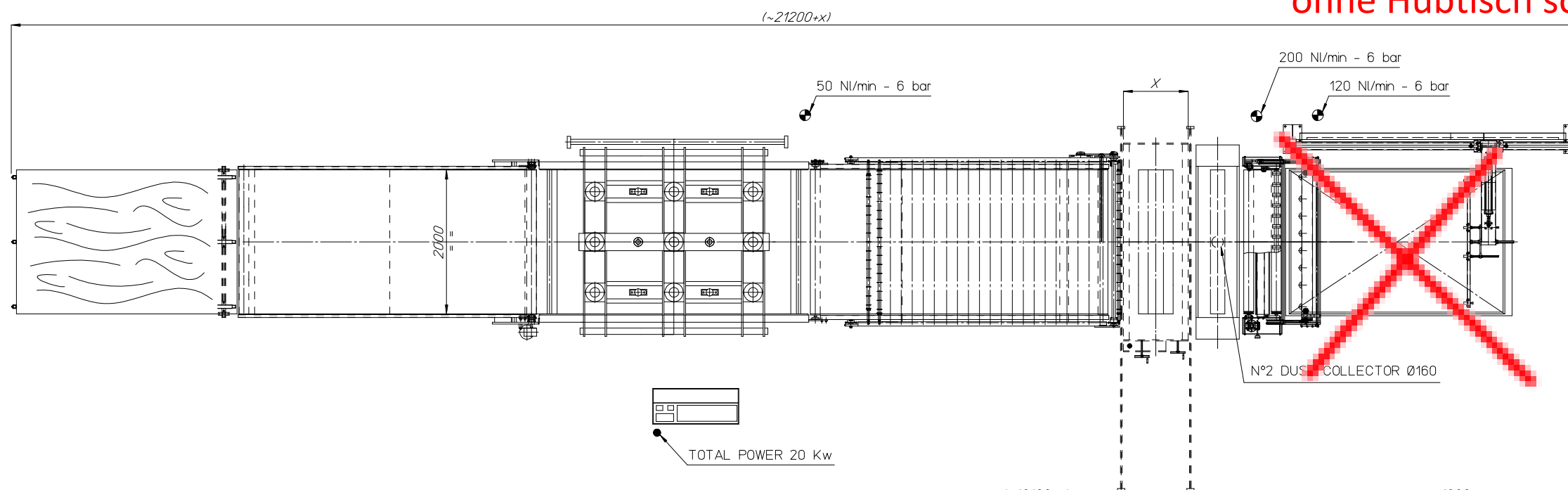


**lift table and infeed device NOT INCLUDED!
ohne Hubtisch sowie Einschubvorrichtung!!**



THIS DRAWING CANCEL AND REPLACE THE PREVIOUS ONE N.9491/D

PRESS WEIGHT STATIC ~ 20000 daN
PRESS WEIGHT DYNAMIC ~ 23000 daN

INDICATIVE QUOTE IN MILLIMETERS
DRAWING WITH POSSIBILITY OF MODIFICATIONS

CALCULATIONS OF FOUNDATIONS AND RELEVANT MASONRY WORKS ARE TO BE MADE UNDER CONTROL AND RESPONSABILITY OF A QUALIFIED TECHNICIAN APPOINTED BY YOURSELF WITH ACCURATE RIGGING

POS	DENOMINAZIONE	
ITALPRESSE		
FABBRICA MACCHINE PER LEGNO		Il presente disegno e' di proprieta' della ITALPRESSE ENGINEERING S.p.A. A termine di legge ogni diritto e' riservato
24060 Bagnatica (Bergamo) Italia - Via delle Grazie, 15 Tel. 035/681122 Telefax 035/682682		
OGGETTO: "Line MARK I/C 20-32.5"		
DISEGNATORE BONANOMI	DIR. TECNICO	DISEGNO N. 9559/D
DATA: 10-11-03	SCALA: 1/50	